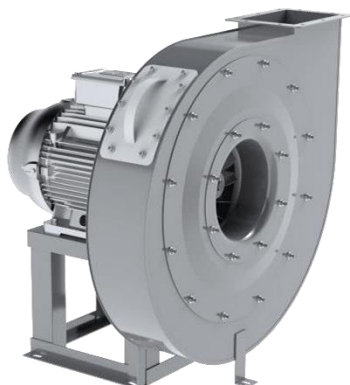



## VN-VPMR



Centrifugaal ventilator met achterovergebogen schoepen voor hoge druk en schone tot licht vervuilde lucht.

De informatie betreft het meest gangbare type. De mogelijkheden zijn zeer uitgebreid en naast het onderstaand type zijn er nog meer mogelijkheden om het gewenste werkpunt te bereiken.

Zoekt u een ventilator voor een specifiek werkpunt, neem dan gerust contact met ons op via 0416 391999 of info@ventinet.nl en we zullen een passende uitvoering voor u selecteren.

|                   |  |
|-------------------|--|
| Afmetingen        | 350 t/m 1.250 mm   |
| Motor (standaard) | Norm motor IP55, 230/1/50 of 400/50  |
| Capaciteit        | t/m 37.000 m <sup>3</sup> /h   |
| Druk              | t/m 19.000 Pa  |
| Regeling          | Frequentie regeling  |
| Behuizing         | Staal met epoxy coating / RVS 304, 316   |
| Waaier            | Staal / RVS 304, 316   |
| Uitvoeringen      | Staand (motorstoel), liggend (verzwaarde motorplaat) of indirect Aangedreven. 16 uitblaasposities.   |
| Extra             | Motoren voor alle spanningen, frequenties en certificaten mogelijk.<br><b>150°C</b> met koelwaaier en <b>300°C</b> via V-snaar aandrijving.<br>Heavy duty segment → grotere afmetingen, capaciteiten en drukken. |
| Atex              |  Gas : zone 1 II2G en 2 II3G    Stof : zone 21 II2D en 22 II3D  |
| Accessoires       | Inspectie luik / Ventilator steun / Beschermeroosters / Flexibele verbindingen / Contraflenzen / Trillingdempers / Condens afvoer / Dempers / Werkschakelaars / Geluiddempende omkasting / Frequentie regelaars  |

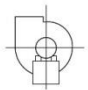

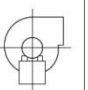

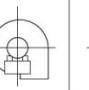
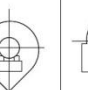
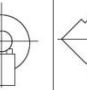

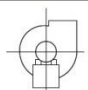

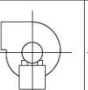
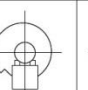
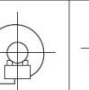
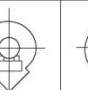
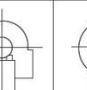

| Qv m3/h       |            | 360                            | 432 | 504 | 576 | 648 | 720 | 792 | 900 | 1044 | 1152 | 1296 | 1476 | 1656 | 1872 | 2124 |     |
|---------------|------------|--------------------------------|-----|-----|-----|-----|-----|-----|-----|------|------|------|------|------|------|------|-----|
| Model VN-VPMR | Motor (kW) | Pt mm H <sub>2</sub> O = da Pa |     |     |     |     |     |     |     |      |      |      |      |      |      |      |     |
| 352 T         | 0.75       | 220                            | 220 | 215 | 215 | 210 | 205 | 200 | 190 | 180  | 170  | 155  |      |      |      |      |     |
| 352 T         | 1.1        | 250                            | 250 | 245 | 245 | 240 | 235 | 230 | 220 | 210  | 195  | 180  | 160  | 135  |      |      |     |
| 402 T         | 1.5        |                                |     |     | 270 | 270 | 265 | 260 | 255 | 250  | 245  | 235  | 220  | 205  | 180  |      |     |
| 402 T         | 2.2        |                                |     |     | 310 | 310 | 305 | 305 | 300 | 290  | 285  | 275  | 265  | 250  | 230  | 210  |     |
| 452 T         | 3          |                                |     |     |     |     |     |     | 345 | 345  | 340  | 335  | 330  | 325  | 320  | 305  | 290 |
| 452 T         | 4          |                                |     |     |     |     |     |     | 395 | 395  | 390  | 385  | 380  | 375  | 360  | 350  | 340 |
| 502 T         | 5.5        |                                |     |     |     |     |     |     |     |      |      | 440  | 440  | 435  | 430  | 425  | 420 |
| 502 T         | 7.5        |                                |     |     |     |     |     |     |     |      |      | 495  | 495  | 490  | 485  | 480  | 470 |
| 562 T         | 9.2        |                                |     |     |     |     |     |     |     |      |      |      |      |      | 550  | 550  | 545 |
| 562 T         | 11         |                                |     |     |     |     |     |     |     |      |      |      |      |      | 610  | 610  | 605 |
| 632 T         | 15         |                                |     |     |     |     |     |     |     |      |      |      |      |      |      |      |     |
| 632 T         | 18.5       |                                |     |     |     |     |     |     |     |      |      |      |      |      |      |      |     |
| 712 T         | 22         |                                |     |     |     |     |     |     |     |      |      |      |      |      |      |      |     |
| 712 T         | 30         |                                |     |     |     |     |     |     |     |      |      |      |      |      |      |      |     |
| 802 T         | 37         |                                |     |     |     |     |     |     |     |      |      |      |      |      |      |      |     |
| 802 T         | 55         |                                |     |     |     |     |     |     |     |      |      |      |      |      |      |      |     |
| 902 T         | 75         |                                |     |     |     |     |     |     |     |      |      |      |      |      |      |      |     |
| 902 T         | 90         |                                |     |     |     |     |     |     |     |      |      |      |      |      |      |      |     |
| 1002 T        | 110        |                                |     |     |     |     |     |     |     |      |      |      |      |      |      |      |     |
| 1002 T        | 160        |                                |     |     |     |     |     |     |     |      |      |      |      |      |      |      |     |
| 714 T         | 4          |                                |     |     |     |     |     |     |     |      |      |      |      |      | 220  | 220  | 215 |
| 714 T         | 5.5        |                                |     |     |     |     |     |     |     |      |      |      |      |      | 250  | 250  | 245 |
| 804 T         | 7.5        |                                |     |     |     |     |     |     |     |      |      |      |      |      |      |      |     |
| 804 T         | 9.2        |                                |     |     |     |     |     |     |     |      |      |      |      |      |      |      |     |
| 904 T         | 11         |                                |     |     |     |     |     |     |     |      |      |      |      |      |      |      |     |
| 904 T         | 15         |                                |     |     |     |     |     |     |     |      |      |      |      |      |      |      |     |
| 1004 T        | 18.5       |                                |     |     |     |     |     |     |     |      |      |      |      |      |      |      |     |
| 1004 T        | 22         |                                |     |     |     |     |     |     |     |      |      |      |      |      |      |      |     |

| Qv m3/h       |            | 2376                           | 2664 | 3024 | 3384 | 3780 | 4140 | 4680 | 5220 | 5940 | 6480 | 7560 | 8280 | 9360 | 10800 | 11988 |
|---------------|------------|--------------------------------|------|------|------|------|------|------|------|------|------|------|------|------|-------|-------|
| Model VN-VPMR | Motor (kW) | Pt mm H <sub>2</sub> O = da Pa |      |      |      |      |      |      |      |      |      |      |      |      |       |       |
| 352 T         | 0.75       |                                |      |      |      |      |      |      |      |      |      |      |      |      |       |       |
| 352 T         | 1.1        |                                |      |      |      |      |      |      |      |      |      |      |      |      |       |       |
| 402 T         | 1.5        |                                |      |      |      |      |      |      |      |      |      |      |      |      |       |       |
| 402 T         | 2.2        | 165                            |      |      |      |      |      |      |      |      |      |      |      |      |       |       |
| 452 T         | 3          | 275                            | 245  |      |      |      |      |      |      |      |      |      |      |      |       |       |
| 452 T         | 4          | 315                            | 295  | 265  | 225  |      |      |      |      |      |      |      |      |      |       |       |
| 502 T         | 5.5        | 410                            | 390  | 370  | 340  |      |      |      |      |      |      |      |      |      |       |       |
| 502 T         | 7.5        | 460                            | 445  | 430  | 400  | 375  | 335  | 280  |      |      |      |      |      |      |       |       |
| 562 T         | 9.2        | 540                            | 535  | 525  | 510  | 485  | 470  | 430  |      |      |      |      |      |      |       |       |
| 562 T         | 11         | 605                            | 600  | 585  | 580  | 560  | 535  | 495  | 460  | 410  | 315  |      |      |      |       |       |
| 632 T         | 15         | 690                            | 690  | 685  | 680  | 675  | 660  | 640  | 620  | 600  | 560  |      |      |      |       |       |
| 632 T         | 18.5       | 775                            | 775  | 700  | 765  | 755  | 745  | 720  | 700  | 650  | 610  | 580  | 530  | 455  |       |       |
| 712 T         | 22         |                                |      |      | 885  | 885  | 880  | 875  | 865  | 855  | 835  | 805  | 770  |      |       |       |
| 712 T         | 30         |                                |      |      | 990  | 990  | 985  | 975  | 965  | 950  | 930  | 900  | 860  | 800  | 730   | 660   |
| 802 T         | 37         |                                |      |      |      |      |      | 1080 | 1075 | 1070 | 1065 | 1055 | 1040 | 1010 | 975   | 960   |
| 802 T         | 55         |                                |      |      |      |      |      | 1220 | 1220 | 1215 | 1210 | 1200 | 1180 | 1150 | 1110  | 1090  |
| 902 T         | 75         |                                |      |      |      |      |      |      |      |      | 1470 | 1450 | 1445 | 1435 | 1410  | 1370  |
| 902 T         | 90         |                                |      |      |      |      |      |      |      |      | 1595 | 1590 | 1585 | 1580 | 1570  | 1550  |
| 1002 T        | 110        |                                |      |      |      |      |      |      |      |      |      |      |      | 1740 | 1730  | 1725  |
| 1002 T        | 160        |                                |      |      |      |      |      |      |      |      |      |      |      | 1965 | 1960  | 1950  |
| 714 T         | 4          | 215                            | 210  | 205  | 200  | 190  | 180  |      |      |      |      |      |      |      |       |       |
| 714 T         | 5.5        |                                |      |      |      |      | 210  | 195  | 180  | 160  |      |      |      |      |       |       |
| 804 T         | 7.5        |                                |      |      |      |      | 255  | 250  | 245  | 240  |      |      |      |      |       |       |
| 804 T         | 9.2        |                                |      |      |      |      | 285  | 280  | 275  | 270  | 255  | 235  | 215  |      |       |       |
| 904 T         | 11         |                                |      |      |      |      | 355  | 350  | 345  | 340  | 335  | 325  | 315  |      |       |       |
| 904 T         | 15         |                                |      |      |      |      | 390  | 385  | 380  | 375  | 370  | 360  | 350  | 335  | 315   | 285   |
| 1004 T        | 18.5       |                                |      |      |      |      |      | 440  | 430  | 425  | 420  | 415  | 405  | 395  | 390   | 390   |
| 1004 T        | 22         |                                |      |      |      |      |      | 495  | 490  | 485  | 480  | 470  | 460  | 450  | 440   | 440   |

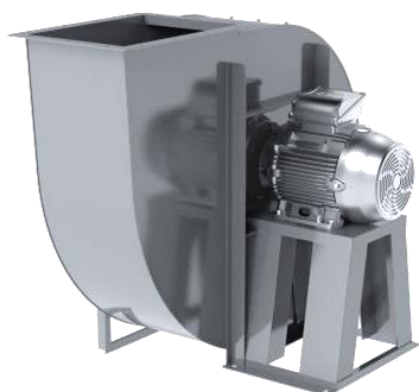
| Qv m3/h       |            | 13320                          | 15120 | 16920 | 18720 | 21240 | 23760 | 26640 | 30240 | 33840 |  |  |  |  |  |  |
|---------------|------------|--------------------------------|-------|-------|-------|-------|-------|-------|-------|-------|--|--|--|--|--|--|
| Model VN-VPMR | Motor (kW) | Pt mm H <sub>2</sub> O = da Pa |       |       |       |       |       |       |       |       |  |  |  |  |  |  |
| 352 T         | 0.75       |                                |       |       |       |       |       |       |       |       |  |  |  |  |  |  |
| 352 T         | 1.1        |                                |       |       |       |       |       |       |       |       |  |  |  |  |  |  |
| 402 T         | 1.5        |                                |       |       |       |       |       |       |       |       |  |  |  |  |  |  |
| 402 T         | 2.2        |                                |       |       |       |       |       |       |       |       |  |  |  |  |  |  |
| 452 T         | 3          |                                |       |       |       |       |       |       |       |       |  |  |  |  |  |  |
| 452 T         | 4          |                                |       |       |       |       |       |       |       |       |  |  |  |  |  |  |
| 502 T         | 5.5        |                                |       |       |       |       |       |       |       |       |  |  |  |  |  |  |
| 502 T         | 7.5        |                                |       |       |       |       |       |       |       |       |  |  |  |  |  |  |
| 562 T         | 9.2        |                                |       |       |       |       |       |       |       |       |  |  |  |  |  |  |
| 562 T         | 11         |                                |       |       |       |       |       |       |       |       |  |  |  |  |  |  |
| 632 T         | 15         |                                |       |       |       |       |       |       |       |       |  |  |  |  |  |  |
| 632 T         | 18.5       |                                |       |       |       |       |       |       |       |       |  |  |  |  |  |  |
| 712 T         | 22         |                                |       |       |       |       |       |       |       |       |  |  |  |  |  |  |
| 712 T         | 30         |                                |       |       |       |       |       |       |       |       |  |  |  |  |  |  |
| 802 T         | 37         |                                |       |       |       |       |       |       |       |       |  |  |  |  |  |  |
| 802 T         | 55         | 1010                           | 935   | 850   | 720   |       |       |       |       |       |  |  |  |  |  |  |
| 902 T         | 75         | 1330                           | 1270  | 1210  | 1130  |       |       |       |       |       |  |  |  |  |  |  |
| 902 T         | 90         | 1520                           | 1480  | 1420  | 1330  | 1260  |       |       |       |       |  |  |  |  |  |  |
| 1002 T        | 110        | 1710                           | 1690  | 1660  | 1610  | 1590  |       |       |       |       |  |  |  |  |  |  |
| 1002 T        | 160        | 1935                           | 1915  | 1880  | 1840  | 1800  | 1710  | 1610  | 1460  | 1345  |  |  |  |  |  |  |
| 714 T         | 4          |                                |       |       |       |       |       |       |       |       |  |  |  |  |  |  |
| 714 T         | 5.5        |                                |       |       |       |       |       |       |       |       |  |  |  |  |  |  |
| 804 T         | 7.5        |                                |       |       |       |       |       |       |       |       |  |  |  |  |  |  |
| 804 T         | 9.2        |                                |       |       |       |       |       |       |       |       |  |  |  |  |  |  |
| 904 T         | 11         |                                |       |       |       |       |       |       |       |       |  |  |  |  |  |  |
| 904 T         | 15         |                                |       |       |       |       |       |       |       |       |  |  |  |  |  |  |
| 1004 T        | 18.5       |                                |       |       |       |       |       |       |       |       |  |  |  |  |  |  |
| 1004 T        | 22         | 410                            | 380   | 340   |       |       |       |       |       |       |  |  |  |  |  |  |

[Typefouten en wijzigingen voorbehouden]

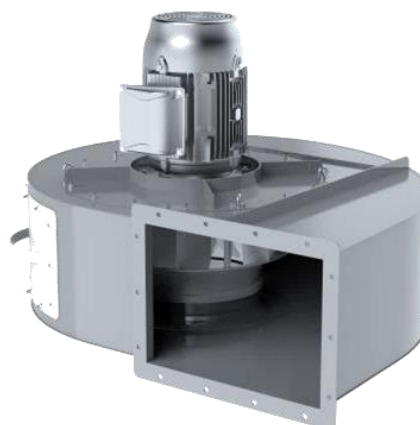
## Uitblaasposities

|           |   |   |   |   |   |   |   |   |
|-----------|---|---|---|---|---|---|---|---|
| <b>RD</b> |  |  |  |  |  |  |  |  |
|           | 0°  | 45°   | 90°   | 135°  | 180°  | 225°  | 270°  | 315°  |
| <b>LG</b> |  |  |  |  |  |  |  |  |

Staande uitvoering



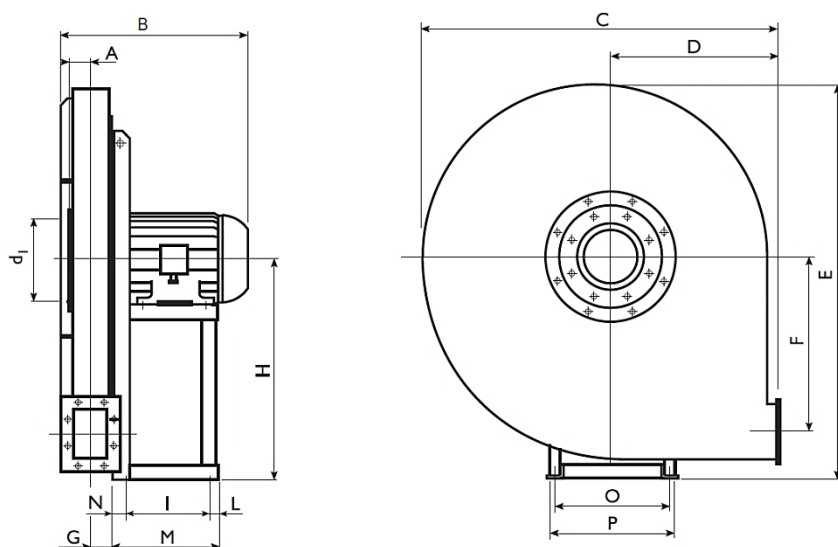
Liggende uitvoering



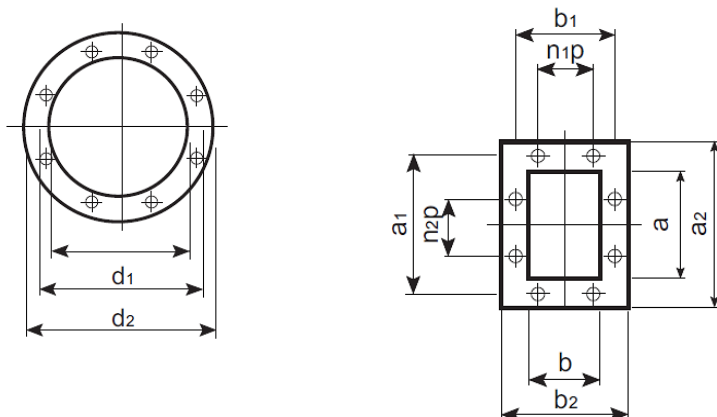
Indirect aangedreven



## Maatindicatie VN-VPMR



| Model   | Mot (H) | Pm (kW) | Ventilator |      |      |     |      |     |     |            |              |              | Frame |    |     |    |     |     |    |
|---------|---------|---------|------------|------|------|-----|------|-----|-----|------------|--------------|--------------|-------|----|-----|----|-----|-----|----|
|         |         |         | A          | B    | C    | D   | E    | F   | G   | H          |              |              | I     | L  | M   | N  | O   | P   | Ø  |
|         |         |         |            |      |      |     |      |     |     | 0°<br>135° | 180°<br>225° | 270°<br>315° |       |    |     |    |     |     |    |
| 352/A T | 80      | 0,75    | 71         | 370  | 535  | 250 | 615  | 205 | 63  | 355        | 250          | 355          | 115   | 30 | 180 | 30 | 229 | 251 | 10 |
| 352/B T | 80      | 1,1     |            | 180  |      |     |      |     |     |            |              |              |       |    |     |    |     |     |    |
| 402/A T | 90      | 1,5     | 78         | 425  | 590  | 280 | 658  | 228 | 70  | 375        | 280          | 375          | 140   | 30 | 205 | 30 | 254 | 276 | 10 |
| 402/B T | 90      | 2,2     |            | 205  |      |     |      |     |     |            |              |              |       |    |     |    |     |     |    |
| 452/A T | 100     | 3       | 86         | 510  | 645  | 300 | 715  | 254 | 78  | 400        | 300          | 400          | 190   | 30 | 250 | 30 | 302 | 324 | 12 |
| 452/B T | 112     | 4       |            | 250  |      |     |      |     |     |            |              |              |       |    |     |    |     |     |    |
| 502/A T | 112     | 4       | 95         | 585  | 715  | 335 | 795  | 285 | 89  | 450        | 335          | 450          | 240   | 30 | 250 | 30 | 352 | 374 | 12 |
| 502/B T | 132     | 5,5     |            | 300  |      |     |      |     |     |            |              |              |       |    |     |    |     |     |    |
| 562/A T | 132     | 7,5     | 105        | 605  | 805  | 375 | 890  | 323 | 99  | 500        | 375          | 500          | 240   | 30 | 300 | 30 | 352 | 374 | 12 |
| 562/B T | 160     | 11      |            | 415  |      |     |      |     |     |            |              |              |       |    | 444 |    |     |     |    |
| 632/A T | 160     | 15      | 105        | 760  | 910  | 425 | 1000 | 381 | 99  | 560        | 425          | 560          | 355   | 30 | 415 | 30 | 402 | 444 | 14 |
| 632/B T | 160     | 18,5    |            | 415  |      |     |      |     |     |            |              |              |       |    |     |    |     |     |    |
| 712/A T | 180     | 22      | 115        | 785  | 1015 | 475 | 1122 | 426 | 108 | 630        | 475          | 630          | 400   | 30 | 460 | 30 | 448 | 490 | 17 |
| 712/B T | 200     | 30      |            | 500  |      |     |      |     |     |            |              |              |       |    | 568 |    |     |     |    |
| 714/A T | 112     | 4       | 115        | 585  | 1015 | 475 | 1122 | 426 | 108 | 630        | 475          | 630          | 190   | 30 | 250 | 30 | 302 | 324 | 12 |
| 714/B T | 132     | 5,5     |            | 300  |      |     |      |     |     |            |              |              |       |    | 374 |    |     |     |    |
| 802/A T | 200     | 37      | 127        | 885  | 1140 | 530 | 1265 | 481 | 122 | 710        | 530          | 710          | 440   | 30 | 500 | 30 | 506 | 568 | 12 |
| 802/B T | 250     | 55      |            | 600  |      |     |      |     |     |            |              |              |       |    | 690 |    |     |     |    |
| 804/A T | 132     | 7,5     | 127        | 675  | 1140 | 530 | 1265 | 481 | 122 | 710        | 530          | 710          | 240   | 30 | 300 | 30 | 352 | 374 | 12 |
| 804/B T | 132     | 9,2     |            | 300  |      |     |      |     |     |            |              |              |       |    |     |    |     |     |    |
| 902/A T | 280     | 75      | 140        | 1115 | 1285 | 600 | 1428 | 542 | 136 | 800        | 600          | 800          | 630   | 30 | 690 | 30 | 690 | 750 | 21 |
| 902/B T | 280     | 90      |            | 630  |      |     |      |     |     |            |              |              |       |    |     |    |     |     |    |
| 904/A T | 160     | 11      | 140        | 835  | 1285 | 600 | 1428 | 542 | 136 | 800        | 600          | 800          | 355   | 30 | 415 | 30 | 402 | 444 | 14 |
| 904/B T | 160     | 15      |            | 355  |      |     |      |     |     |            |              |              |       |    | 444 |    |     |     |    |
| 1002A T | 315     | 110     | 160        | 1150 | 1430 | 670 | 1590 | 607 | 152 | 900        | 670          | 900          | 740   | 30 | 800 | 30 | 760 | 865 | 24 |
| 1002B T | 315     | 160     |            | 800  |      |     |      |     |     |            |              |              |       |    | 865 |    |     |     |    |
| 1004A T | 180     | 18,5    | 160        | 870  | 1430 | 670 | 1590 | 607 | 152 | 900        | 670          | 900          | 400   | 30 | 460 | 30 | 448 | 490 | 17 |
| 1004B T | 180     | 22      |            | 460  |      |     |      |     |     |            |              |              |       |    | 490 |    |     |     |    |



| Model | Aanzuig flens |                |                |    |    | Uitblaas flens |     |                |                |                |                |                  |                  |    |    |
|-------|---------------|----------------|----------------|----|----|----------------|-----|----------------|----------------|----------------|----------------|------------------|------------------|----|----|
|       | d             | d <sub>1</sub> | d <sub>2</sub> | n° | ∅  | a              | b   | a <sub>1</sub> | b <sub>1</sub> | a <sub>2</sub> | b <sub>2</sub> | n <sub>1xp</sub> | n <sub>2xp</sub> | n° | ∅  |
| 350   | 185           | 219            | 250            | 8  | 8  | 166            | 117 | 200            | 151            | 236            | 187            | -                | 1x112            | 6  | 12 |
| 400   | 205           | 241            | 275            | 8  | 8  | 185            | 131 | 219            | 165            | 255            | 201            | -                | 1x112            | 6  | 12 |
| 450   | 228           | 265            | 298            | 8  | 8  | 207            | 148 | 241            | 182            | 277            | 218            | 1x112            | 1x112            | 6  | 12 |
| 500   | 255           | 292            | 325            | 8  | 10 | 231            | 166 | 265            | 200            | 301            | 236            | 1x112            | 1x112            | 8  | 12 |
| 560   | 285           | 332            | 365            | 8  | 10 | 258            | 185 | 292            | 219            | 328            | 255            | 1x112            | 1x112            | 8  | 12 |
| 630   | 320           | 366            | 400            | 8  | 10 | 258            | 185 | 292            | 219            | 328            | 255            | 1x112            | 2x112            | 10 | 12 |
| 710   | 360           | 405            | 440            | 8  | 10 | 288            | 205 | 332            | 249            | 368            | 285            | 1x125            | 2x125            | 10 | 12 |
| 800   | 405           | 448            | 485            | 12 | 10 | 322            | 229 | 366            | 273            | 402            | 309            | 1x125            | 2x125            | 10 | 12 |
| 900   | 455           | 497            | 535            | 12 | 10 | 361            | 256 | 405            | 300            | 441            | 336            | 1x125            | 2x125            | 10 | 12 |
| 1000  | 505           | 551            | 585            | 12 | 10 | 404            | 288 | 448            | 332            | 484            | 368            | 2x125            | 3x125            | 14 | 12 |
| 1120  | 565           | 629            | 665            | 12 | 10 | 453            | 322 | 497            | 366            | 533            | 402            | 2x125            | 3x125            | 14 | 12 |
| 1250  | 635           | 698            | 735            | 12 | 12 | 507            | 361 | 551            | 405            | 587            | 441            | 2x125            | 3x125            | 14 | 12 |